

W9300 Series



APPLICATIONS

These mounts have been designed for central mounting with long travel and low frequency isolation where a very long service life is required under very high temperature conditions. Such applications include suspension of exhaust pipes, silencers and manifolds. There is no alteration in characteristics between -70° C and +175° C.

DESCRIPTION

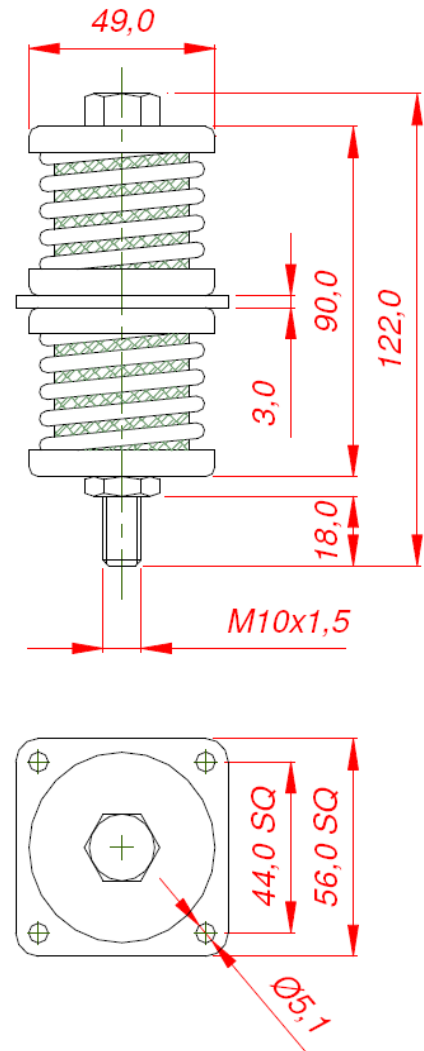
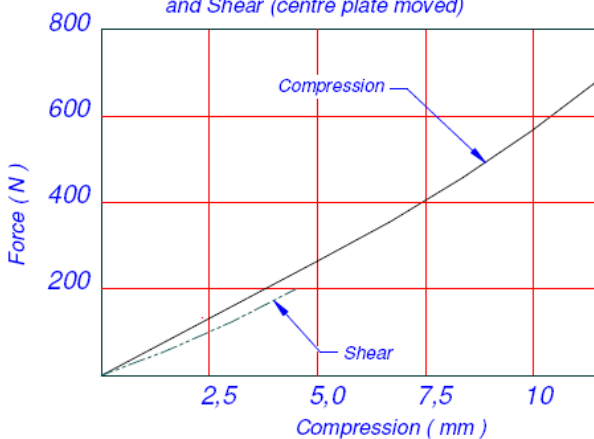
The mounting consists of steel springs and resilient knitted stainless steel cushions. The cups and threaded centre bar have a phosphate finish.

DYNAMIC CHARACTERISTICS

Amplitude = +/- 1 mm
Natural Frequency = 5 to 7 Hz

Part Number	Static Load kg
W9300-1	10 – 15
W9300-2	15 – 25
W9300-3	25 – 50

Typical Performance Curve for W9300-3 as a function of applied load in Compression and Shear (centre plate moved)



CAPARO
DYNAMICS
VIBRATION SHOCK AND NOISE CONTROL



A Division of
CAPARO
ENGINEERING
Limited

