

Marine Mount Series



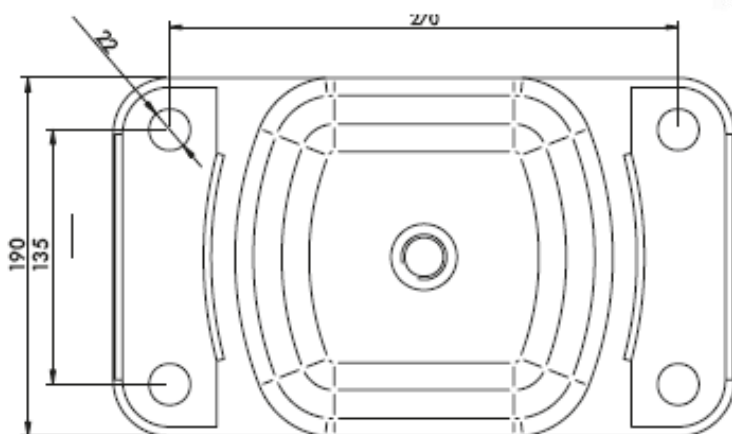
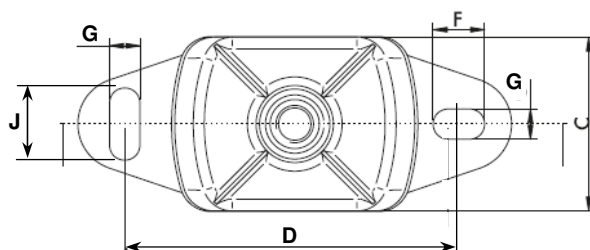
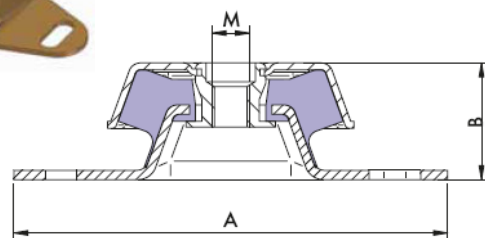
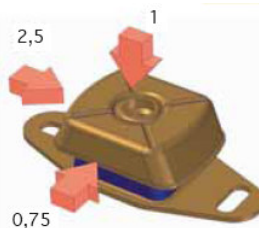
APPLICATION

A general purpose vibration isolation mount suitable for marine and mobile applications which are exposed to axial and radial shocks, oil, diesel, and the weather.

DESCRIPTION

The marine mount series consist of a rubber element bonded between a steel pedestal and steel cap. The cap provides protection for the rubber element from diesel, oil, ozone, UV rays etc which are damaging to rubber.

The mounts incorporate a fail-safe feature allowing the mount to remain captive should the rubber element break under shock.



Part No.	Type	Rubber Hardness	Load Range	Dimensions								Approx. Weight	
				A	B	C	D	F	G	J	M		
		Shore	kg										kg
15/521	Small	45	10 – 45	120	38.5	60	100	14	11	14	M12	0.4	
15/522		55	15 – 70										
15/523		65	20 – 95										
15/511	Medium	45	30 – 120	183	50	75	140	20	13	30	M16	0.9	
15/512		55	50 – 220										
15/513		65	65 – 280										
15/514		75	130 – 400										
15/501	Large	45	85 – 350	228	68	112	182	26	18	34	M20	2.25	
15/502		55	125 – 525										
15/503		65	200 – 800										
15/504		75	270 – 1080										
15/531	XLarge	45	100 – 950	330	112	190	270	-	-	-	M24	9.6	
15/532		55	150 – 1400										
15/533		65	220 – 2200										
15/534		75	300 - 3000										



Marine Mount Series

