

# Type 'K'

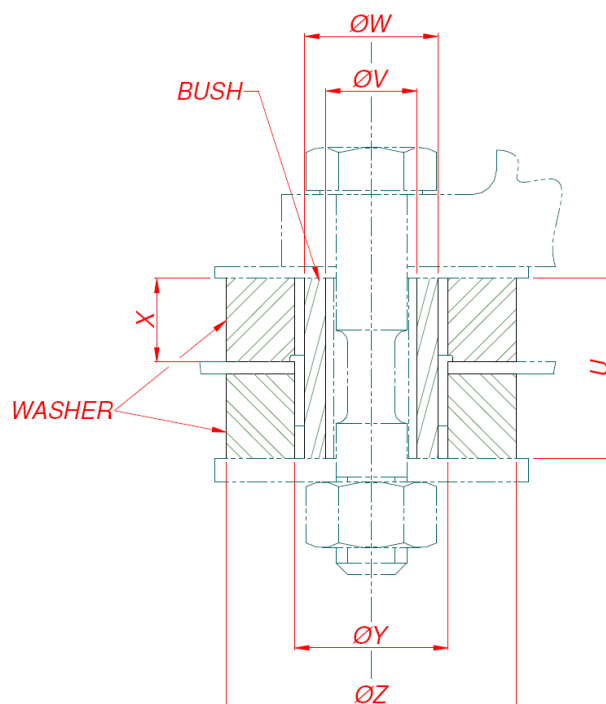
## APPLICATIONS

These are purely shock mountings intended for use where there is no requirement for vibration attenuation. May be used alone or in conjunction with any other type of mounting. Normally used to protect against decelerating forces.

## DESCRIPTION

A captive compression type mounting comprising two rubber washers (one to carry the load the other for shock deceleration) and a rubber centre bush.

Exposed rubber is protected with special flexible red paint to MOD Specification NPL 100.



Caparo Dynamics Part No.	NATO Stock Number	Type	Description	Dimensions						Supported mass, kg
				U	V	W	X	Y	Z	
15/001	5340-99-923-8855	1	Washer - soft				35	51	108	180 - 360
15/002	5340-99-923-8854		Washer - hard				35	51	108	
15/003	5340-99-923-8852		Bush	76	25	44.5				
15/004	5340-99-923-8856	2	Washer - soft				35	64	121	340 - 680
15/005	5340-99-923-8857		Washer - hard				35	64	121	
15/006	5340-99-923-8853		Bush	76	38	55.5				

NOTE – Steel washers, ferrules and sleeves are not usually supplied but may be at additional cost.